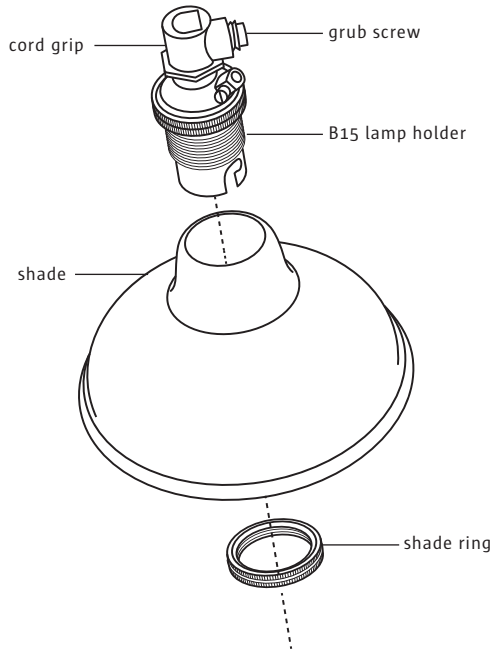


FACTORYLUX®

MINIATURE SHADE



lamp holder and shade ring sold separately

SKU NUMBERS

white	S200100	green	S200300
galvanised	S200110	gloss black	S200400
red	S200120	matt black	S200500
grey	S200200	silver	S201000

YOUR PRODUCT

Thank you for purchasing this Factorylux product. It has been designed and made entirely in the UK to give you many years of reliable service. Please read these user instructions carefully. All user instructions available to download at factorylux.com

WARNING

- Installation in accordance with current wiring and building regs and by a competent person only. Find an NICEIC registered contractor at factorylux.com
- Shut off power to the circuit before installation
- For indoor use only
- Bathroom installation by authorised contractor only
- Ensure grub screw is secure - terminals must be relieved from strain and twisting
- Ensure luminaire cord is min 0.75mm² CSA and double insulated
- Ensure shade is secured between lamp holder and shade ring
- Always consider the total weight load when installing and suspending your light
- Maintain safe distance from surfaces

STAY UP TO DATE

We post regular design and product information via social media and our blog. You can also contact us via instant support, twitter or email hello@factorylux.com

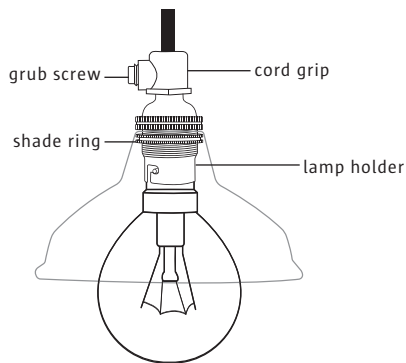


FACTORYLUX®

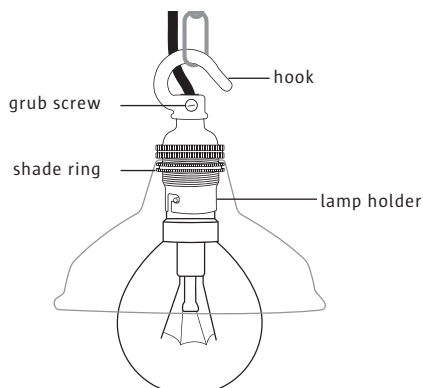
USER INSTRUCTIONS

INSTALLATION OPTIONS

1. Standard (non adjustable bulb height - fixed to shade)

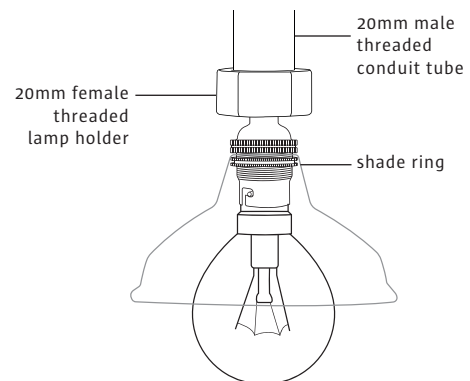


2. Hooked (non adjustable bulb height - fixed to shade)



INSTALLATION OPTIONS CONT

3. Conduit (non adjustable bulb height - fixed to shade)



CAUTION: Use suitable thread-locking fluid to prevent rotation and loosening of threaded parts between lamp holder and conduit

TROUBLESHOOTING

No user serviceable parts. In the event of failure, fault or damage shut off power and contact our technical department via factorylux.com

HANDLING & CLEANING

WARNING: Shut off power and allow to cool

- Wipe gently with a dry, soft, cotton cloth
- Cleaning products, scratching, abrasion, damp, oils, liquids etc may have a detrimental effect

Designed & made entirely in the UK

Revision 1603