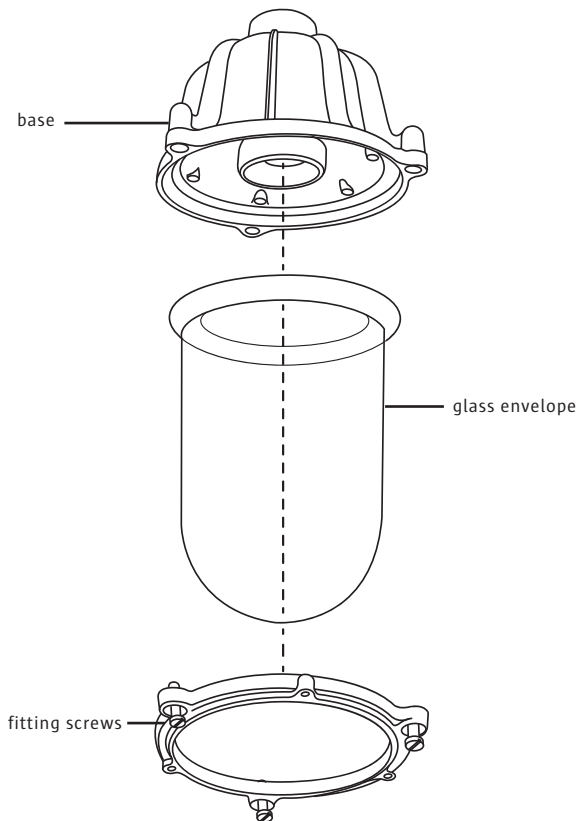


# FACTORYLUX<sup>®</sup>

## INDUSTRIAL LANTERN



### YOUR PRODUCT

Thank you for purchasing this Factorylux product. It has been designed and hand built in the UK to give you many years of reliable service. Please read these user instructions carefully. All user instructions available to download at [factorylux.com](http://factorylux.com)

### WARNING

- Installation in accordance with current wiring and building regs and by a competent person only. Find an NICEIC registered contractor at [factorylux.com](http://factorylux.com)
- Rated IP 65
- IP rating may be reduced if installed incorrectly or with unsuitable parts
- Earthed - only compatible with 3 core cable
- Shut off power before installation, adjusting or handling
- Ensure cables are secured in correct terminals (see 'wiring diagram')
- Consider cord anchorage - terminals must be relieved from strain and twisting
- Do not exceed wattage specified on product label (for Factorylux filament lamp exceptions - contact [hello@factorylux.com](mailto:hello@factorylux.com))
- Light bulbs with higher thermal output may impair safety
- Exterior / bathroom installation by authorised contractor only
- Always use fixings appropriate for your mounting surface (screws supplied may not be suitable)

### TROUBLESHOOTING

No user serviceable parts. In the event of failure, fault or damage shut off power and contact our technical department via [factorylux.com](http://factorylux.com)

### STAY UP TO DATE

We post regular design and product information via social media and our blog. You can also contact us via instant support, twitter or email [hello@factorylux.com](mailto:hello@factorylux.com)



# FACTORYLUX<sup>®</sup>

## USER INSTRUCTIONS

### TOOLS REQUIRED

- |                       |                           |
|-----------------------|---------------------------|
| • L & N Terminals     | 3mm flat head screwdriver |
| • Fitting screws      | 6mm flat head screwdriver |
| • $\perp$ terminal    | cross-head screwdriver    |
| • Lamp holder bracket | cross-head screwdriver    |

### INSTALLATION NOTES

- 20mm threaded entry hole requires securing to a suitable 20mm male thread (e.g. conduit)
- We recommend using ferrules with crimping pliers to crimp exposed stranded conductors on L and N cables. It's simpler, neater and safer
- We recommend using suitable thread-locking fluid to prevent loosening of 20mm female thread from connected parts

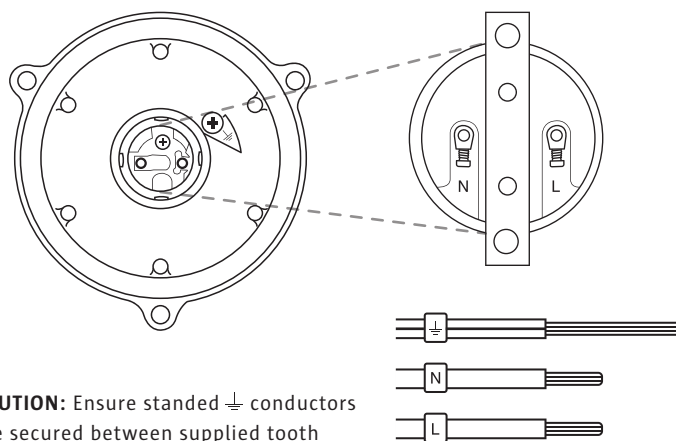
### INSTALLATION (MASONRY SURFACE)

**WARNING:** Light fitting to be installed and earthed in accordance with current wiring and building regs

1. Disassemble light fitting
2. Remove lamp holder from bracket
3. Secure base to chosen fitting
4. Pull supply cable through 20mm threaded entry into base
5. Make L, N and  $\perp$  connection (see 'wiring diagram')
6. Secure lamp holder to bracket
7. Insert lamp and check function
8. Fit glass envelope to body and secure with fitting screws **CAUTION:** ensure rubber gasket positioned correctly and screws firmly secured

### WIRING DIAGRAM

1. Strip insulation from end - appropriate to cable type and / or ferrules
2. Firmly secure stripped cables in terminals **WARNING:** There should be no loose copper strands.



**CAUTION:** Ensure stranded  $\perp$  conductors are secured between supplied tooth washers

### HANDLING & CLEANING

**WARNING:** Shut off power and allow to cool

- Wipe gently with a dry, soft, cotton cloth
- Cleaning products, scratching, abrasion, damp, oils, liquids etc may have a detrimental effect

Designed & made in the UK to BS EN 60598

Revision 1603

