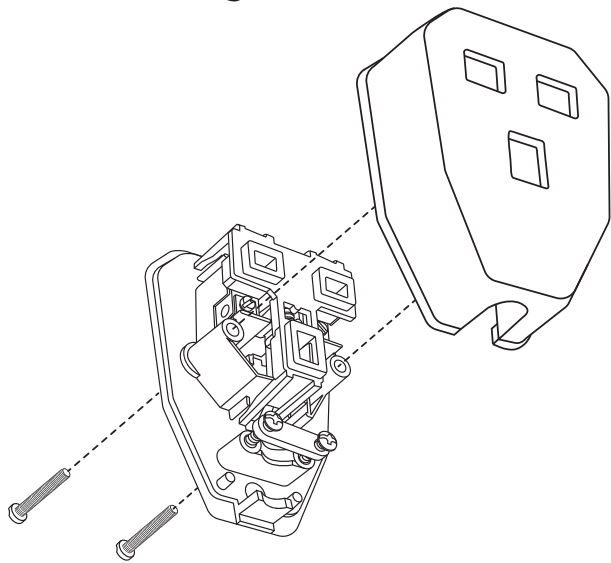


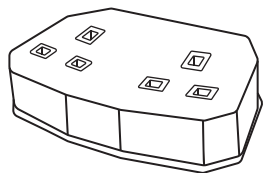
FACTORYLUX[®]

13A SOCKET

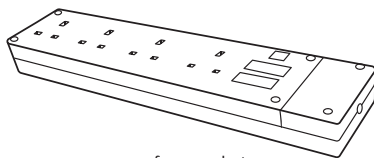


one socket | white S152400 | orange S152300 | black S152200

VARIANTS



two socket | white S152800
orange S152700 | black S152600



four socket
white S153100 | black S153000

FACTORYLUX[®]

USER INSTRUCTIONS

TOOLS REQUIRED

- Screwdriver - dependant on socket
- Insulation strippers
- Small sharp scissors

INSTALLATION NOTES

- Compatible with Factorylux power cable
- We recommend using ferrules with crimping pliers to crimp exposed stranded conductors. It's simpler, neater and safer
- If using fabric cable, we recommend using suitable heat shrink to secure fabric sleeve

INSTALLATION

CAUTION: Reference correct 'wiring diagram' for each socket

1. Remove required length of fabric sleeve from cable using scissors
CAUTION: Take care not to damage insulation
2. Prepare cores (as per appropriate 'wiring diagram')
3. Terminate N, L and \perp in sequence
4. Secure cable in cord grip **CAUTION:** Terminals should be relieved from strain or twisting
5. Replace and secure cover

HANDLING & CLEANING

WARNING: Shut off power

- Remove all plugs from socket
- Wipe gently with a dry, soft, cotton cloth

TROUBLESHOOTING

No user serviceable parts. In the event of failure, fault or damage shut off power and contact our technical department via factorylux.com

YOUR PRODUCT

Thank you for purchasing this Factorylux product. It has been designed to give you many years of reliable service. Please read these user instructions carefully. All user instructions available to download at factorylux.com

WARNING

- Installation by a competent person only. If in doubt, find an NICEIC registered contractor at factorylux.com
- Must be earthed
- Only compatible with 3 core flexible cable (min. 1.25mm CSA) and a 3-pin 13A plug
- Do not exceed maximum allowable load
- Ensure appliance plug is fitted with recommended amp fuse
- Do not hard wire to mains
- Ensure cable is secure in cord grip - terminals must be relieved from strain and twisting
- Ensure cables are secured in terminal channels
- Not suitable for use in wet or damp conditions

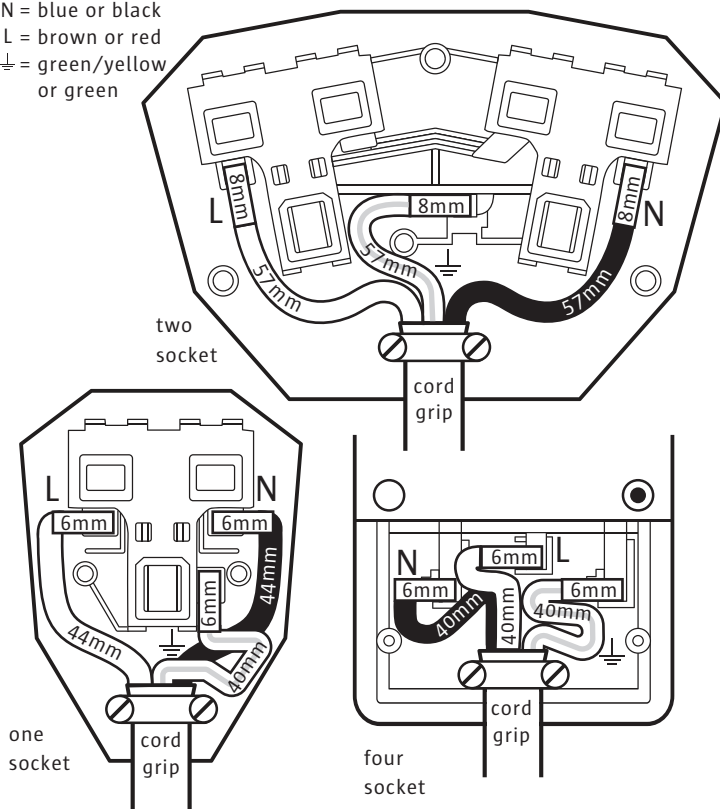
STAY UP TO DATE

We post regular design and product information via social media and our blog. You can also contact us via instant support, twitter or email hello@factorylux.com.



WIRING DIAGRAMS

N = blue or black
L = brown or red
 \perp = green/yellow or green



Designed, made & tested to BS 1363

Revision 1603



© Factorylux. All rights reserved. Factorylux is a registered trade mark.