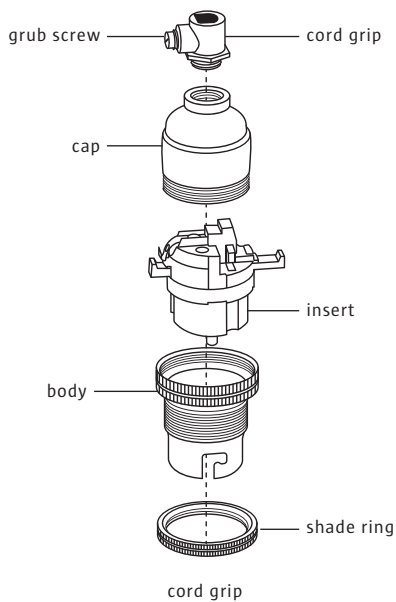


FACTORYLUX[®]

METAL SWITCHED B22

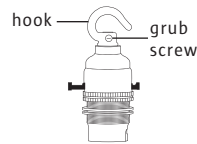


retro silver S252200 | vintage brass S252300 | antique bronze S252400

VARIANTS



20mm threaded | retro silver S254300
vintage brass S254400
antique bronze S254500



hooked | retro silver S253500
vintage brass S253600
antique bronze S253700

FACTORYLUX[®]

USER INSTRUCTIONS

TOOLS REQUIRED

- Cord grip grub screw 4mm flat head screwdriver
- Hooked grub screw 3mm flat head screwdriver
- Terminals 3mm flat head screwdriver

INSTALLATION NOTES

- We recommend using ferrules with crimping pliers to crimp exposed stranded conductors. It's simpler, neater and safer

HANDLING & CLEANING

WARNING: Shut off power and allow to cool

- Wipe gently with a dry, soft, cotton cloth
- Cleaning products, scratching, abrasion, damp, oils, liquids etc may have a detrimental effect

TROUBLESHOOTING

No user serviceable parts. In the event of failure, fault or damage shut off power and contact our technical department via factorylux.com

YOUR PRODUCT

Thank you for purchasing this Factorylux product. It has been designed and made in the UK to give you many years of reliable service. Please read these user instructions carefully. All user instructions available to download at factorylux.com

WARNING

- Installation in accordance with current wiring and building regs and by a competent person only. Find an NICEIC registered contractor at factorylux.com
- For indoor use only
- Earthed - only compatible with 3 core lighting cable
- Shut off power to the circuit before installation
- Ensure cables are secured in correct terminals (see 'wiring diagram')
- Ensure flexible cables are secure - terminals must be relieved from strain and twisting
- Ensure lugs on body are aligned with indents on insert
- Bathroom installation by authorised contractor only
- Do not exceed max operating temperature - 210°C (T2)
- Maintain safe distance between light source and surfaces

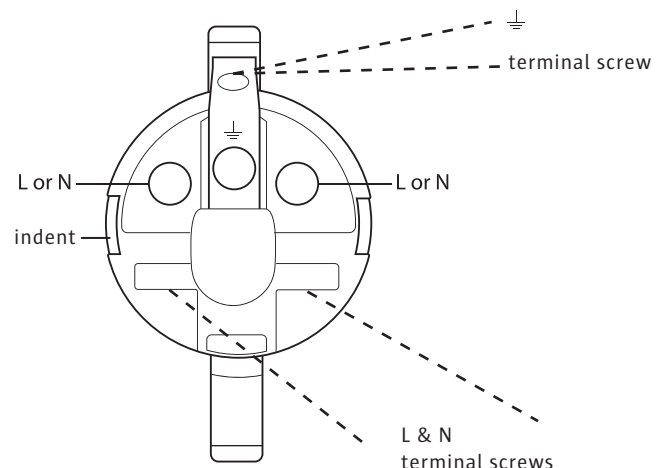
STAY UP TO DATE

We post regular design and product information via social media and our blog. You can also contact us via instant support, twitter or email hello@factorylux.com



WIRING DIAGRAM

1. Strip insulation from end - appropriate to cable type and/or ferrules
2. Firmly secure stripped cables in terminals **WARNING:** There should be no loose copper strands
3. Line up lugs in body with insert indents
4. Secure grub screw (or suitable alternative cable restraint)



Designed, made & tested in the UK to BS 7895

Revision 1603

