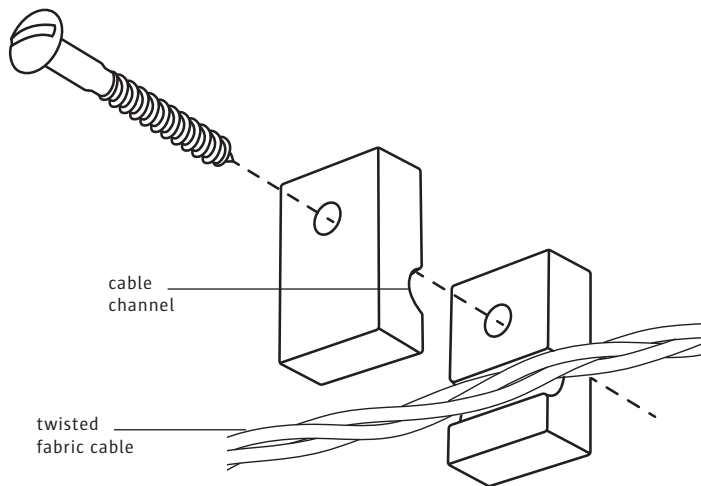


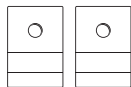
# FACTORYLUX<sup>®</sup>

## WOOD CABLE HOLDER



single S280850 | five pack S280853 | ten pack S280856

### WHAT'S INCLUDED



1x  
cable  
holder



1x  
plastic  
plug\*



1x  
long  
screw\*



1x  
medium  
screw\*\*

\* masonry surface  
\*\* wood surface

# FACTORYLUX<sup>®</sup>

## USER INSTRUCTIONS

### TOOLS REQUIRED

- Drill + 6mm masonry bit
- 6mm flat head screwdriver

### INSTALLATION NOTES

- Cable holder is designed to be fixed to a solid horizontal or vertical surface using appropriate fixings

### INSTALLATION (MASONRY SURFACE)

1. Calculate position of cable fixing point
2. Drill 1 x 6mm hole x 30mm deep
3. Insert plastic plug into hole
4. Position cable holder fixing hole over plastic plug
5. Use screwdriver and supplied long screw to loosely attach cable holder to fixing point (alternatively, use supplied medium screw, without plastic plug, to fix to timber)
6. Open cable holder and position cable in cable channel
7. Use screwdriver to secure cable holder to fixing point

### YOUR PRODUCT

Thank you for purchasing this Factorylux product. It has been designed and hand made in the UK to give you many years of reliable service. All user instructions available to download at [factorylux.com](http://factorylux.com)

### WARNING

- Shut off power to light fitting before installing or adjusting
- Always use fixings appropriate for your mounting surface (screws supplied may not be suitable)
- Ensure cable runs through channel provided

### STAY UP TO DATE

We post regular design and product information via social media and our blog. You can also contact us via instant support, twitter or email [hello@factorylux.com](mailto:hello@factorylux.com)



### ADJUSTING

- WARNING:** Shut off power and allow to cool
- Remove cable holder from fixing surface
  - Adjust as required
  - Re-install following installation instructions

### HANDLING & CLEANING

- WARNING:** Shut off power and allow to cool
- Wipe gently with a dry, soft, cotton cloth
  - Cleaning products, scratching, abrasion, damp, oils, liquids etc may have a detrimental effect on the finish

### TROUBLESHOOTING

No user serviceable parts. In the event of failure, fault or damage shut off power and contact our technical department via [factorylux.com](http://factorylux.com)

Designed & made entirely in the UK

Revision 1603