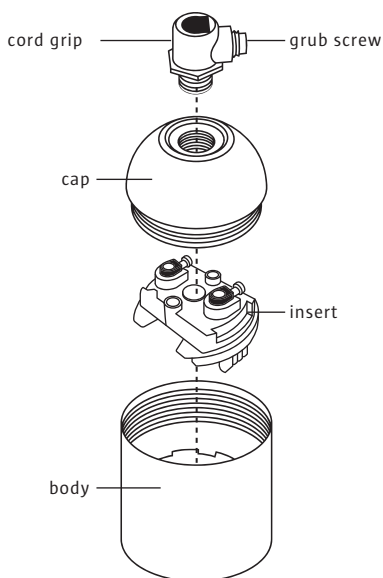


FACTORYLUX[®]

BAKELITE E27



cord grip | S250100

VARIANTS



20mm threaded | retro silver S250202
vintage brass S250201
antique bronze S250203



hooked | S250200

YOUR PRODUCT

Thank you for purchasing this Factorylux product. It has been designed and made in Italy to give you many years of reliable service. Please read these user instructions carefully. All user instructions available to download at factorylux.com

WARNING

- Installation in accordance with current wiring and building regs and by a competent person only. Find an NICEIC registered contractor at factorylux.com
- For indoor use only
- Earthed - only compatible with 3 core lighting cable
- Shut off power to the circuit before installation
- Ensure cables are secured in correct terminals (see 'wiring diagram')
- Ensure flexible cables are secure - terminals must be relieved from strain and twisting
- Ensure lugs on cap are aligned with indents on insert
- Bathroom installation by authorised contractor only
- Do not exceed max operating temperature - 190°C
- Installation inside shade not recommended - Bakelite retains heat and can cause overheating
- Maintain safe distance between light source and surfaces

TROUBLESHOOTING

No user serviceable parts. In the event of failure, fault or damage shut off power and contact our technical department via factorylux.com

STAY UP TO DATE

We post regular design and product information via social media and our blog. You can also contact us via instant support, twitter or email hello@factorylux.com



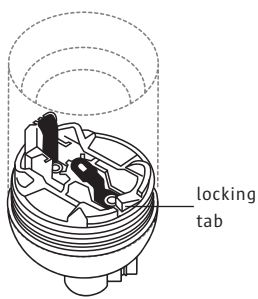
FACTORYLUX[®]

USER INSTRUCTIONS

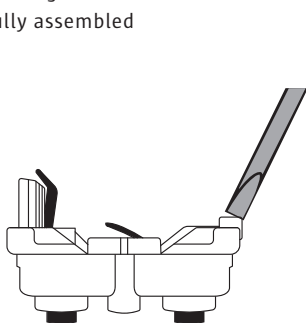
UNLOCKING



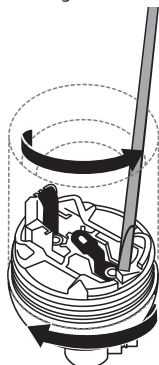
1. Locking device activated when fully assembled



2. Identify locking tab



3. Depress locking tab with screwdriver...



4. ...whilst unscrewing body from cap

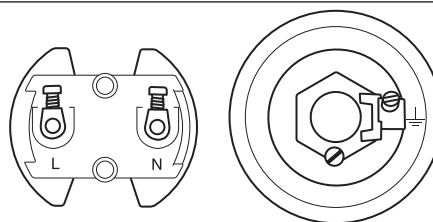
TOOLS REQUIRED

- | | |
|------------------------|---------------------------|
| • Cord grip grub screw | 4mm flat head screwdriver |
| • Hooked grub screw | 3mm flat head screwdriver |
| • Terminals | 3mm flat head screwdriver |

INSTALLATION NOTES

- We recommend using ferrules with crimping pliers to crimp exposed stranded conductors. It's simpler, neater and safer

WIRING DIAGRAM



1. Strip insulation from end - appropriate to cable type and/or ferrules
2. Firmly secure stripped cables in terminals **WARNING:** There should be no loose copper strands
3. Line up plastic lugs in cap with insert indents
4. Secure grub screw (or suitable alternative cable restraint)

HANDLING & CLEANING

WARNING: Shut off power and allow to cool

- Wipe gently with a dry, soft, cotton cloth
- Cleaning products, scratching, abrasion, damp, oils, liquids etc may have a detrimental effect

Designed, made & tested in Italy to EN 60238

Revision 1603

