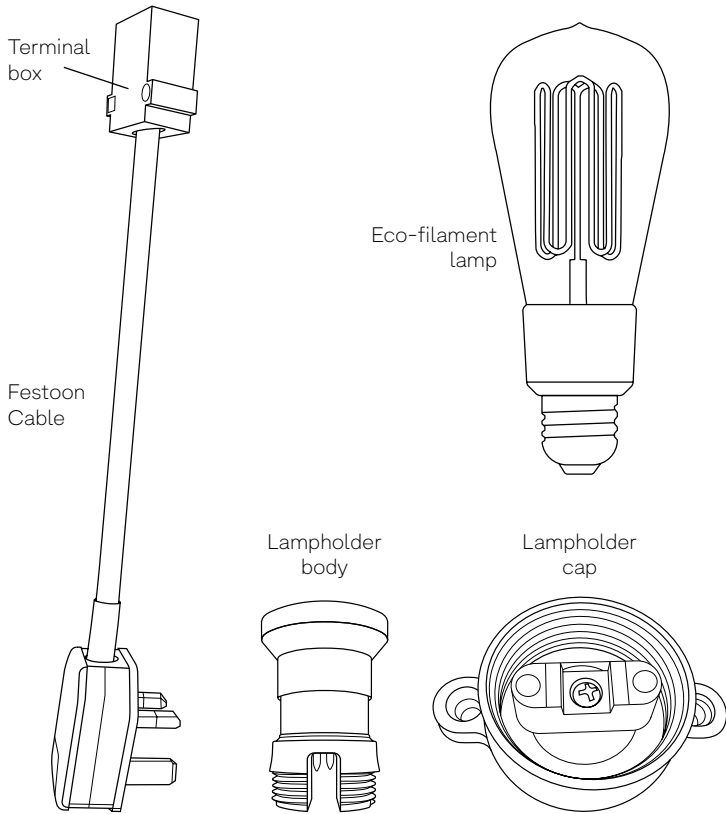


FACTORYLUX[®]

FESTOON



YOUR PRODUCT

Thank you for purchasing this FACTORYLUX product. It has been designed and hand built in the UK to give you many years of reliable service. Please read these user instructions carefully.

WARNING

Shut off power before installation, adjusting or handling!

- Light fitting to be assembled by a competent person following these instructions
- IP 20
- Not suitable for use in a bathroom
- Do not exceed Max Wattage - 8W per lampholder
- Max 50 lampholders per assembly
- Lampholders should be fixed to mounting surface
- Always use fixings appropriate to the mounting surface
- Lampholders MUST NOT be removed once installed on cable
- **RISK OF ELECTROCUTION:**
- Shut off power before installing or replacing lamps
- Do not switch on power until all lamps installed
- Do not remove terminal box
- Lamps only to be installed in lamp holders
- Min 100mm spacing between lamps after installation

WHAT'S INCLUDED

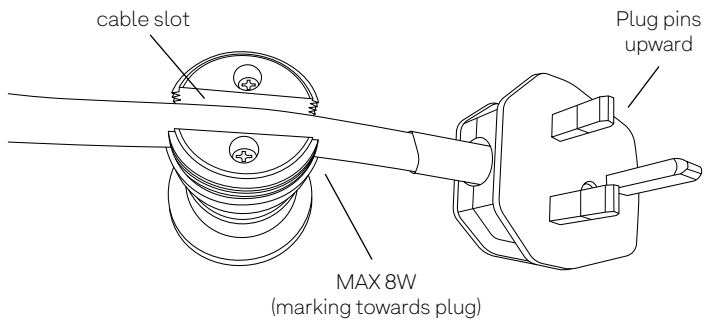
Festoon cable with plug and terminal box
Lampholder body
Lampholder cap
Eco-filament lamp
Screws & wall plugs

TOOLS REQUIRED

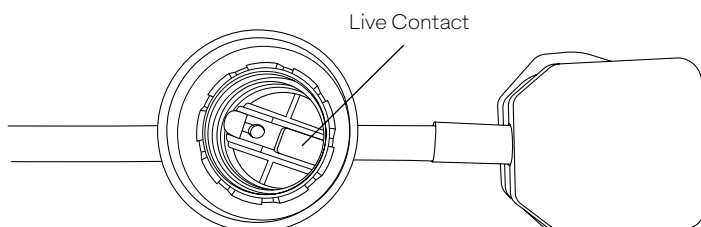
Pozidriv screwdriver (installation)

INSTALLATION

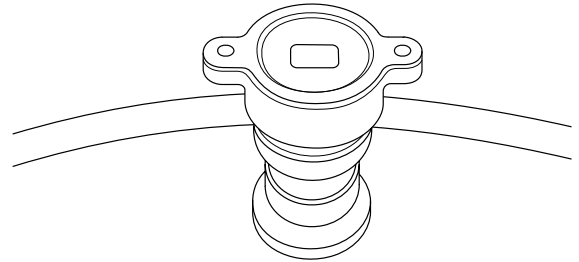
1. Select the location for a lampholder on your pre-assembled festoon cable. It may be convenient to mark this location with a pen or removable sticky label.
2. With plug pins facing up and 'Max 8W' marking facing the plug (see diagram), place festoon cable into 'cable slot' of lampholder body. Insert cable flat with the widest dimension across the slot. The cable should be resting against both contact pins.



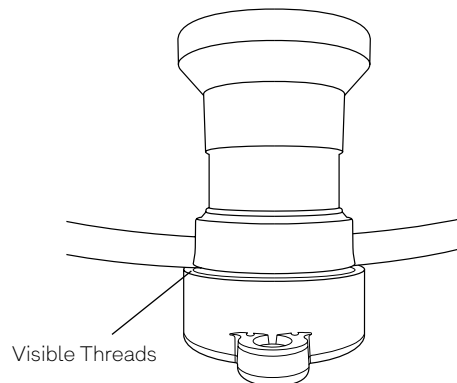
Underside view:



3. Place the lampholder cap on the lampholder body with the contact pad in the cable slot



4. Taking care not to cross the threads, screw the lampholder together until hand tight and fixing lugs are in desired orientation. There should be no more than 2 threads visible once the parts are screwed together.



5. Repeat for remaining lampholders.
6. Fix lampholder lugs to a suitable surface using fixings appropriate for mounting surface

HANDLING & CLEANING

WARNING: Shut off power and allow to cool

- Wipe gently with a dry, soft, cotton cloth
- Cleaning products, scratching, abrasion, damp, oils, liquids etc may have a detrimental effect

STAY UP TO DATE

We post regular design and product information via social media and our blog. You can also contact us via instant support or email support@factorylux.com



TROUBLESHOOTING

In the event of failure, fault or damage, shut off power and contact our technical department via factorylux.com.

