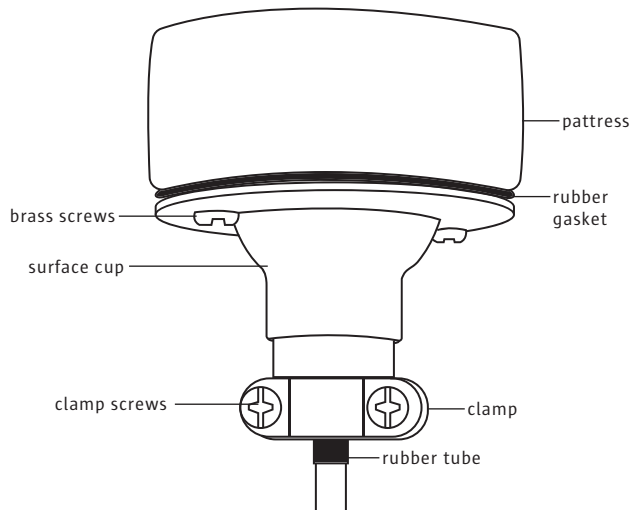
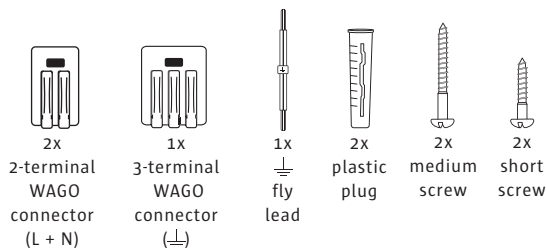


FACTORYLUX®

CUSTOM LIGHTING



WHAT'S INCLUDED



FACTORYLUX®

USER INSTRUCTIONS

TOOLS REQUIRED

- Drill + 6mm masonry bit
- 6mm flat head screwdriver

INSTALLATION NOTES

- Pendant combinations vary. Instructions are for ceiling rose installation only

INSTALLATION (MASONRY SURFACE)

WARNING: Light fitting to be insulated and earthed in accordance with current wiring regs

1. Drill 2 x 6mm holes x 30mm deep at 50.8mm centre spacings
2. Insert plastic plugs into holes
3. Remove brass screws and separate surface cup from pattress
4. Use 6mm screwdriver and supplied medium screws to fix pattress to surface (alternatively, use supplied short screws only to fix pattress to a timber surface)
5. Re-locate rubber gasket between surface cup and pattress
6. Use supplied WAGO connectors to make L, N and \perp connections (as per 'wiring diagram')
 - Flip integrated orange lever up to open position
 - Insert exposed conductor to stopping point
 - Return lever to closed position
7. Re-attach surface cup to pattress using brass screws

ADJUSTING


WARNING: WAGO terminals must be relieved from strain or twisting

- Release clamp screws with 6mm screwdriver
- Adjust fabric cable to required length **NOTE:** Do not remove batch code label
- Tighten clamp screws to same tightness as before

YOUR PRODUCT

Thank you for purchasing this Factorylux product. It has been designed and hand built in the UK to give you many years of reliable service. Please read these user instructions carefully. All user instructions available to download at factorylux.com

WARNING

- Nominal frequency 50 Hz
- This light fitting must be installed by a competent person, in accordance with current wiring and building regs. Find an NICEIC registered contractor at factorylux.com
- For indoor use only
- Shut off power to the circuit before installation
- Always use fixings appropriate for the mounting surface (screws supplied may not be suitable)
- Do not exceed wattage specified on product label (for Factorylux filament lamp exceptions - contact hello@factorylux.com)
- Bathroom installation by authorised contractor only
- Rubber tube improves cable anchorage. Do not remove
- Ensure clamp screws are secure - WAGO terminals must be relieved from strain and twisting
- Maintain safe distance between light source and surfaces 

STAY UP TO DATE

We post regular design and product information via social media and our blog. You can also contact us via instant support, twitter or email hello@factorylux.com



TOOLS REQUIRED

- Drill + 6mm masonry bit
- 6mm flat head screwdriver

INSTALLATION NOTES

- Pendant combinations vary. Instructions are for ceiling rose installation only

INSTALLATION (MASONRY SURFACE)

WARNING: Light fitting to be insulated and earthed in accordance with current wiring regs

1. Drill 2 x 6mm holes x 30mm deep at 50.8mm centre spacings
2. Insert plastic plugs into holes
3. Remove brass screws and separate surface cup from pattress
4. Use 6mm screwdriver and supplied medium screws to fix pattress to surface (alternatively, use supplied short screws only to fix pattress to a timber surface)
5. Re-locate rubber gasket between surface cup and pattress
6. Use supplied WAGO connectors to make L, N and \perp connections (as per 'wiring diagram')
 - Flip integrated orange lever up to open position
 - Insert exposed conductor to stopping point
 - Return lever to closed position
7. Re-attach surface cup to pattress using brass screws

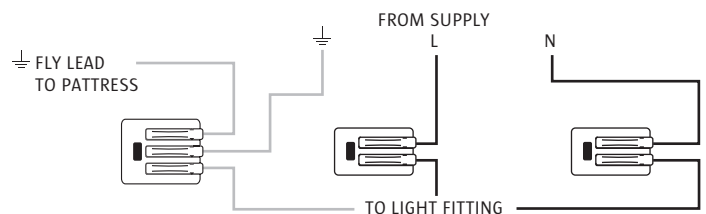
ADJUSTING

WARNING: WAGO terminals must be relieved from strain or twisting

- Release clamp screws with 6mm screwdriver
- Adjust fabric cable to required length **NOTE:** Do not remove batch code label
- Tighten clamp screws to same tightness as before

WIRING DIAGRAM

WARNING: Ensure no loose copper strands



HANDLING & CLEANING

WARNING: Shut off power and allow to cool

- Wipe gently with a dry, soft, cotton cloth
- Cleaning products, scratching, abrasion, damp, oils, liquids etc may have a detrimental effect

TROUBLESHOOTING

No user serviceable parts. In the event of failure, fault or damage shut off power and contact our technical department via factorylux.com

DID YOU KNOW...?

You can find out when and by whom your product was made, tested and certified to BS EN 60598 / BS 4533. Search the unique batch code (affixed to the cable) at factorylux.com. You'll even find out what was hot news in the Hebden Bridge Times the day your product was made

Designed, made & tested in the UK to BS EN 60598 / BS 4533

1_INS_WireClampPattress_1901



© Factorylux. All rights reserved. Factorylux is a registered trade mark. Factorylux | Greenhill Mills | Hebden Bridge | HX75QF