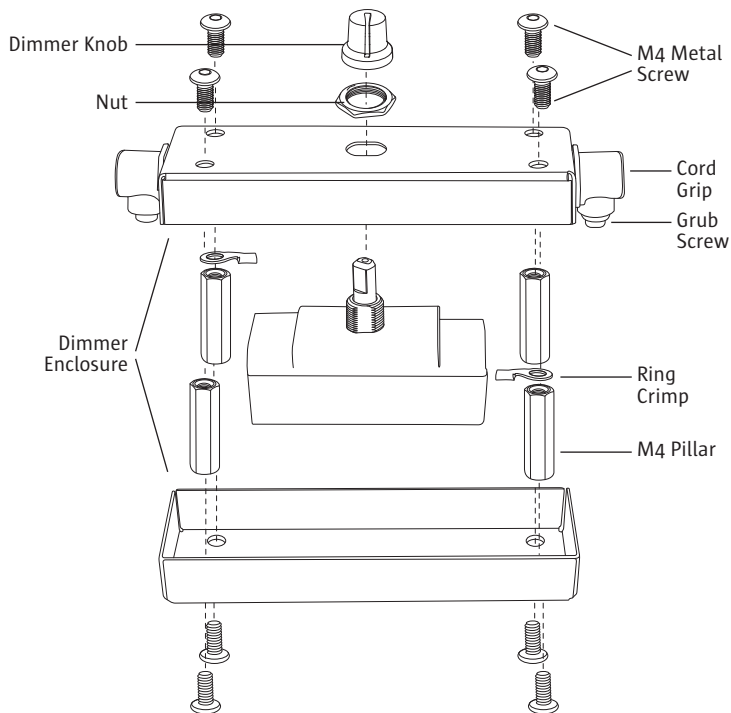


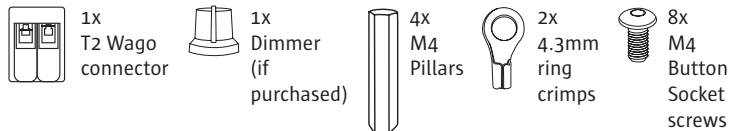
FACTORYLUX[®]

DUSK



WHAT'S INCLUDED

1 x Enclosure with cord grips attached



TOOLS REQUIRED

- 2.5mm hex tool
- 3mm flat head screwdriver
- Cable cutters and strippers
- Crimping tool (or pliers)
- Fine scissors
- Small blunt wooden / plastic tool

INSTALLATION NOTES

- Separate user instructions are supplied with the dimmer (if included)
- Dimmer housing may mark certain surfaces, take care when installing

INSTALLATION

WARNING: Unit must be earthed

NOTE: Only suitable for 3 core cable.

NOTE: Add 90mm to each half of the cable used for wiring (eg to end up with a 1m cable with dimmer module in the middle, cut each half to 590mm. To have dimmer module positioned 250mm from end then use 2 pieces of cable that are 340mm and 840mm long)

1. Feed cables through cord grips into housing approximately 150mm
2. Remove outer insulation and any cable sheathing 130mm from ends.
3. Pull cables back through cord grips until outer insulation is level with inside edge of cord grip. Tighten grub screws to tool tight
4. Remove 35mm from ends of each earth wire and strip ends 5mm
5. Crimp ring crimps in place on ends of earth wires (check they are securely in place)
6. Use crimp tool or alternatively the inner jaws of pliers can be used (sufficient force required to keep ring crimp on place, excess force could damage crimp/cable)

YOUR PRODUCT

Thank you for purchasing this Factorylux product. It has been designed and part assembled in the UK to give you many years of reliable service. Please read these user instructions carefully. All user instructions are available to download at factorylux.com/userinstructions

WARNING

- Installation by a competent person, in accordance with current wiring and building regs. Find an NICEIC registered contractor at factorylux.com
- Shut off power before installation, adjusting or handling
- IP 20 – for indoor use only
- Not suitable for use in a bathroom
- Ensure grub screws are secure – terminals must be relieved from strain / twisting
- Install fuse suitable for all the components
- Ensure full electrical safety tests are carried out on product
- Enclosure must be earthed
- Supplied ring crimps must be securely fixed to earth wire conductors

HANDLING & CLEANING

WARNING: Shut off power and allow to cool

- Wipe gently with a dry, soft, cotton cloth
- Cleaning products, scratching, abrasion, damp, oils, liquids etc may have a detrimental effect

TROUBLESHOOTING

No user serviceable parts. In the event of failure, fault or damage shut off power and contact our technical department via factorylux.com

STAY UP TO DATE

We post regular design and product information via social media and our blog. You can also contact us via instant support, twitter or email hello@factorylux.com



INSTALLATION (continued)

7. Attach ring crimps and pillars to (diagonally) opposite corners of housing with supplied M4 screws and 2.5mm hex tool. Push ring crimps towards sides of housing when tightening
8. Add pillars to 2 remaining corners

Cable on power supply (plug) side:

9. Remove 80mm from end of live wire and strip end 9mm
10. Strip end of neutral wire 9mm

Cable on lamp holder side:

11. Remove 70mm from end of neutral wire and strip end 9mm
12. Strip end of live wire 9mm

WARNING: At this point live and neutral wires should be connected and relevant electrical safety tests should be carried out

13. Use 3mm screwdriver to secure live in (short cable, power side) to “C” terminal and live out (long cable, lamp holder side) to “L1” terminal
14. Remove knob and nut from dimmer, position in place in the housing and secure with the nut, replace knob (keep earth and neutral wires clear of housing when adding dimmer)
15. Use blunt plastic or wooden tool to tuck earth wires and long live wire between sides of dimmer and housing
16. Use supplied WAGO in space between pillars and dimmer
 - Flip integrated orange lever up to open position
 - Insert exposed conductor to stopping point
 - Return lever to closed position
17. Position Wago in space between pillars and dimmer

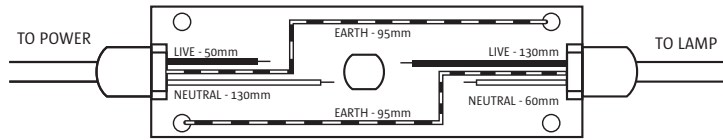
WARNING: ensure there is enough clearance for wires between top of Wago and top of pillars when the second half of housing is added

18. Use blunt tool to tuck long neutral wire between side of dimmer and housing
19. Attach second half of housing with supplied M4 screws
20. The 8 screws should be tightened gradually to ensure the edges of the housing line up

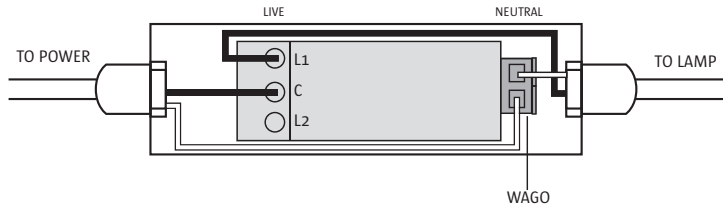
WARNING: Beware of crushing cables between the halves of the housing

WARNING: At this point relevant electrical safety tests to be carried out

WIRING DIAGRAM



WIRING - DIMMER OPTION



WIRING - SWITCH OPTION

