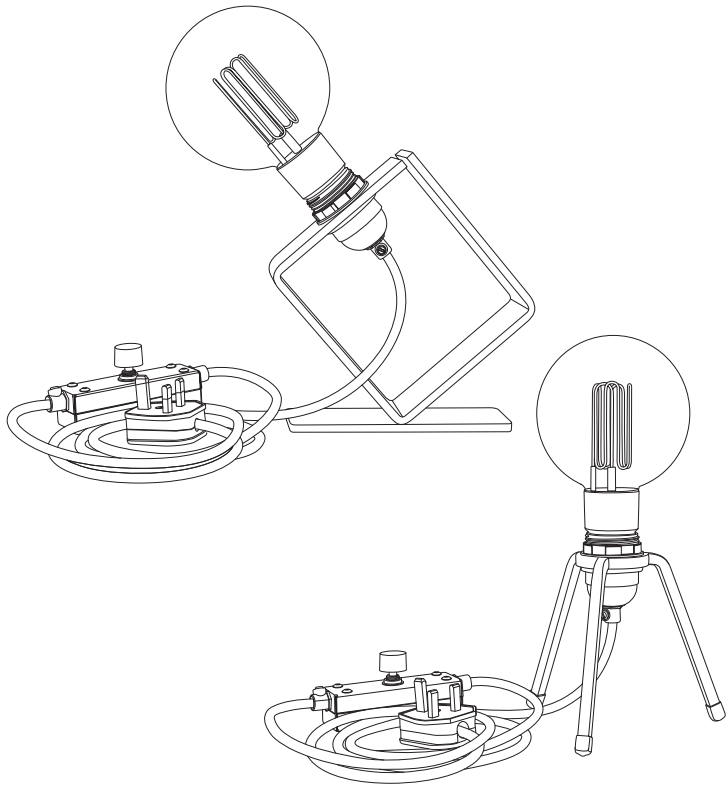


# FACTORYLUX<sup>®</sup>

## PORTABLE LIGHT



### INSTALLATION NOTES

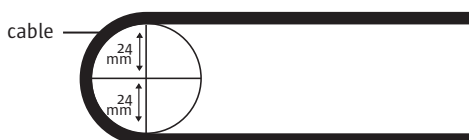
- Table lamp to be installed on a horizontal surface only
- Standard 3-pin UK plug socket required

### INSTALLATION

- Dimmer only compatible with Factorylux Eco Filament bulbs.
- Bulb may not come on at low dimmer setting, turn dimmer up full to illuminate bulb, then turn down to achieve desired brightness.
- Dimmer housing may mark certain surfaces, take care when installing.
- Lamp frame, manufactured from raw steel, will change appearance naturally over the course of time and will oxidise in damp or humid environment – position with care.

### MINIMUM BEND RADIUS

**WARNING:** Do not bend cable tighter than 48mm diameter circle



### YOUR PRODUCT

Thank you for purchasing this Factorylux product. It has been designed and hand built in the UK to give you many years of reliable service. Please read these user instructions carefully. All user instructions available to download at [factorylux.com](http://factorylux.com)

### WARNING

- For indoor use only
- Not suitable for use in a bathroom
- Shut off power before installation, adjusting or handling
- Do not exceed wattage specified on product label

### TROUBLESHOOTING

No user serviceable parts. In the event of failure, fault or damage shut off power and contact our technical department via [factorylux.com](http://factorylux.com)

### HANDLING & CLEANING

**WARNING:** Shut off power and allow to cool

- Wipe gently with a dry, soft, cotton cloth
- Cleaning products, scratching, abrasion, damp, oils, liquids etc may have a detrimental effect

### STAY UP TO DATE

We post regular design and product information via social media and our blog. You can also contact us via instant support or email [hello@factorylux.com](mailto:hello@factorylux.com)



### ADJUSTING

**WARNING:** Shut off power and allow to cool.

- Disconnect plug from socket
- Adjust luminaire as required
- Re-install following instructions

#### Dimming

Eco Filament Lamps must be switched on with dimmer at maximum and then dimmed down to required brightness. NOTE: Lamp may fail to illuminate if switched on with dimmer below maximum.

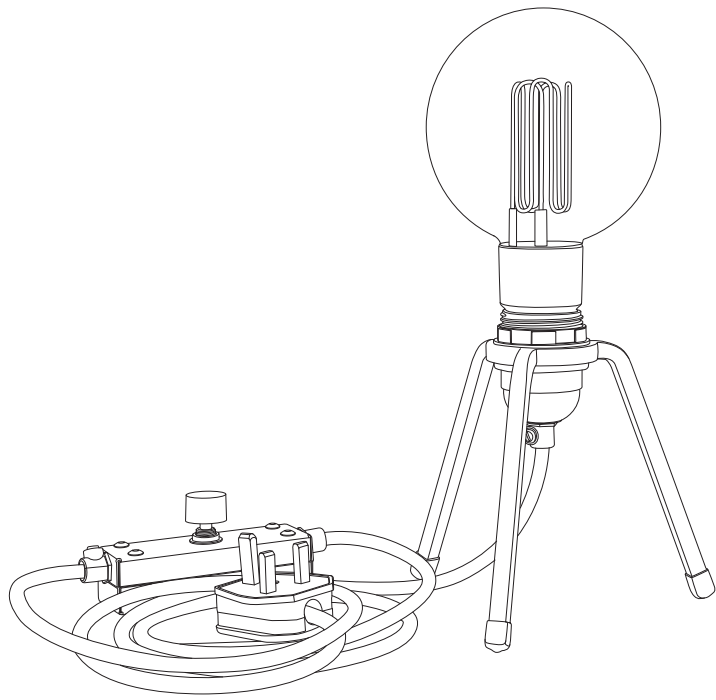
### DID YOU KNOW

You can find out when and by whom your product was made, tested and certified to BS EN 60598 by searching the unique batch code (attached to the luminaire) at [factorylux.com](http://factorylux.com). You'll even find out what was hot news in the Hebden Bridge Times the day your product was made.

---

## 1. PHAGE

---



---

## 2. RIEMANN

---

