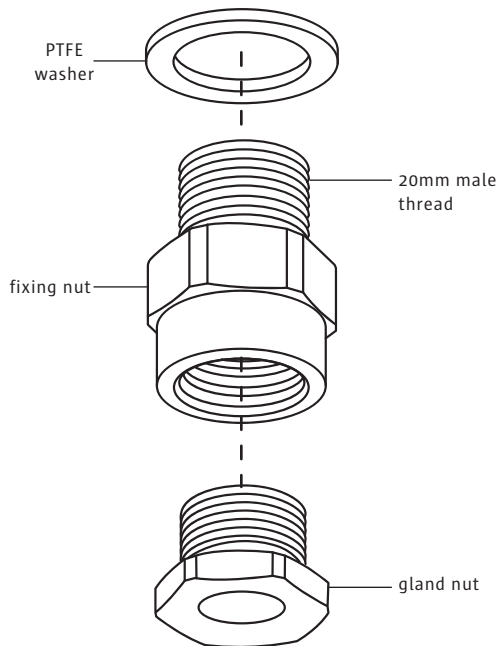


FACTORYLUX[®]

IP 66 GLAND



YOUR PRODUCT

Thank you for purchasing this Factorylux product. It has been designed and made entirely in the UK to give you many years of reliable service. Please read these user instructions carefully. All user instructions available to download at factorylux.com

WARNING

- Installation in accordance with current wiring and building regs and by a competent person only. Find an NICEIC registered contractor at factorylux.com
- Rated IP 66
- Shut off power to the circuit before installation
- Compatible with min 4mm OD / max 8.4mm OD sheathed cable
- Gland must clamp directly on to PVC or rubber of supply cable
- Gland is not compatible with twisted fabric cable
- Ensure PTFE washer is in position, failure to install will affect IP rating
- IP rating only met if correctly fitted and installed with IP 66 rated components
- 20mm male thread should be locked against loosening from connected parts
- Install only horizontal or downward facing (water ingress can occur when cable entry faces up)

STAY UP TO DATE

We post regular design and product information via social media and our blog. You can also contact us via instant support, twitter or email hello@factorylux.com



FACTORYLUX[®]

USER INSTRUCTIONS

TOOLS REQUIRED

- 26mm + 24mm open spanner

INSTALLATION NOTES

- We recommend using suitable thread-locking fluid to prevent loosening of 20mm male thread from connected parts
- If using fabric cable, we recommend using heat shrink to secure fabric sleeve but the gland must still clamp directly on to PVC or rubber in order to maintain IP rating

INSTALLATION (MASONRY SURFACE)

WARNING: Must be insulated or earthed and installed in accordance with current building and wiring regs

1. Screw 20mm male thread into connecting 20mm female thread
2. Tighten and secure with 26mm spanner (and suitable thread-locking fluid)
3. Feed compatible cable through gland until at correct position
4. Grip fixing nut with 26mm spanner while tightening gland nut with 24mm spanner

HANDLING & CLEANING

WARNING: Shut off power and allow to cool

- Cleaning products, scratching, abrasion, damp, oils, liquids etc may have a detrimental effect on finish

TROUBLESHOOTING

No user serviceable parts. In the event of failure, fault or damage contact our tech department via factorylux.com