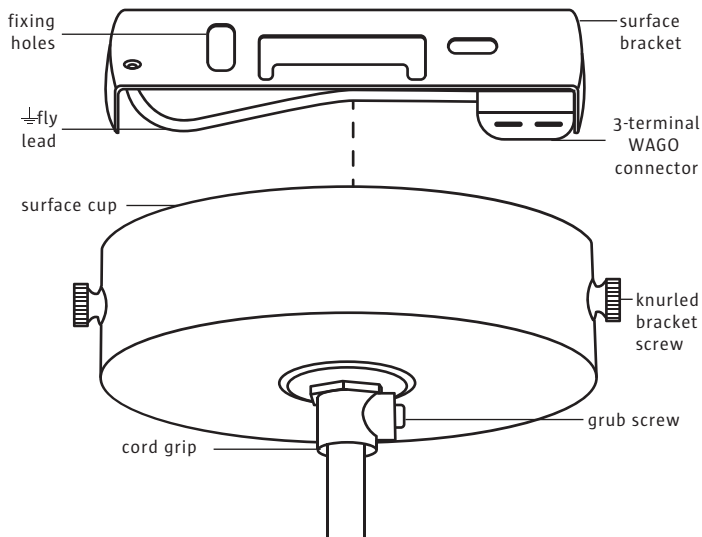
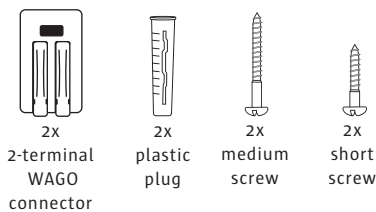


# FACTORYLUX<sup>®</sup>

## CUSTOM LIGHTING




### WHAT'S INCLUDED



### YOUR PRODUCT

Thank you for purchasing this Factorylux product. It has been designed and hand built in the UK to give you many years of reliable service. Please read these user instructions carefully. You can download copies at [factorylux.com](http://factorylux.com)

### WARNING

- Nominal frequency 50 Hz
- This light fitting must be installed by a competent person, in accordance with current wiring and building regs. Find an NICEIC registered contractor at [factorylux.com](http://factorylux.com)
- For indoor use only
- Shut off power to the circuit before installation
- Always use fixings appropriate for the mounting surface (screws supplied may not be suitable)
- Do not exceed wattage specified on product label (for Factorylux filament lamp exceptions - contact [hello@factorylux.com](mailto:hello@factorylux.com))
- Bathroom installation by authorised contractor only
- Ensure grub screw is secure - WAGO terminals must be relieved from strain and twisting
- Maintain safe distance between light source and surfaces 

### STAY UP TO DATE

We post regular design and product information via social media and our blog. You can also contact us via instant support, twitter or email [hello@factorylux.com](mailto:hello@factorylux.com)



# FACTORYLUX<sup>®</sup>

## USER INSTRUCTIONS

### TOOLS REQUIRED

- Drill + 6mm masonry bit
- 6mm + 4mm flat head screwdrivers

### INSTALLATION NOTES

- Pendant combinations vary. Instructions are for ceiling rose installation only

### INSTALLATION (MASONRY SURFACE)

**WARNING:** Light fitting to be insulated and earthed in accordance with current wiring regs

1. Drill 2 x 6mm holes x 30mm deep at 50.8mm centre spacings
2. Insert plastic plugs into holes
3. Use 6mm screwdriver and supplied medium screws to fix bracket to horizontal surface (alternatively, use supplied short screws only to fix luminaire to timber surface)
4. Use supplied WAGO connectors to make L, N and  $\perp$  connections (as per 'wiring diagram')
  - Flip integrated orange lever up to open position
  - Insert exposed conductor to stopping point
  - Return lever to closed position
5. Attach surface cup to bracket using knurled bracket screws

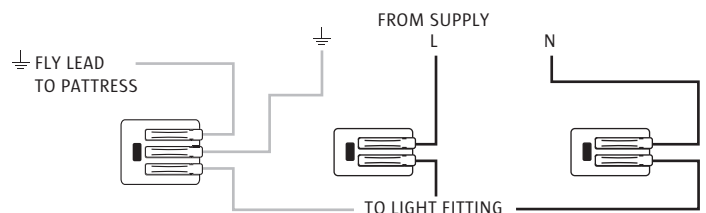
### ADJUSTING

**WARNING:** WAGO terminals must be relieved from strain or twisting

- Release grub screw with 4mm flat head screwdriver
- Adjust fabric cable to required length **NOTE:** Do not remove batch code label
- Tighten grub screw to same tightness as before

### WIRING DIAGRAM

**WARNING:** Ensure no loose copper strands



### HANDLING & CLEANING

**WARNING:** Shut off power and allow to cool

- Wipe gently with a dry, soft, cotton cloth
- Cleaning products, scratching, abrasion, damp, oils, liquids etc may have a detrimental effect

### TROUBLESHOOTING

No user serviceable parts. In the event of failure, fault or damage shut off power and contact our technical department via [factorylux.com](http://factorylux.com)

### DID YOU KNOW...?

You can find out when and by whom your product was made, tested and certified to BS EN 60598 / BS 4533. Search the unique batch code (affixed to the cable) at [factorylux.com](http://factorylux.com). You'll even find out what was hot news in the Hebden Bridge Times the day your product was made

Designed, made & tested in the UK to BS EN 60598 / BS 4533

1\_INS\_SingleOutletCeilingRose\_1901



© Factorylux. All rights reserved. Factorylux is a registered trade mark.

Factorylux | Greenhill Mills | Hebden Bridge | HX75QF