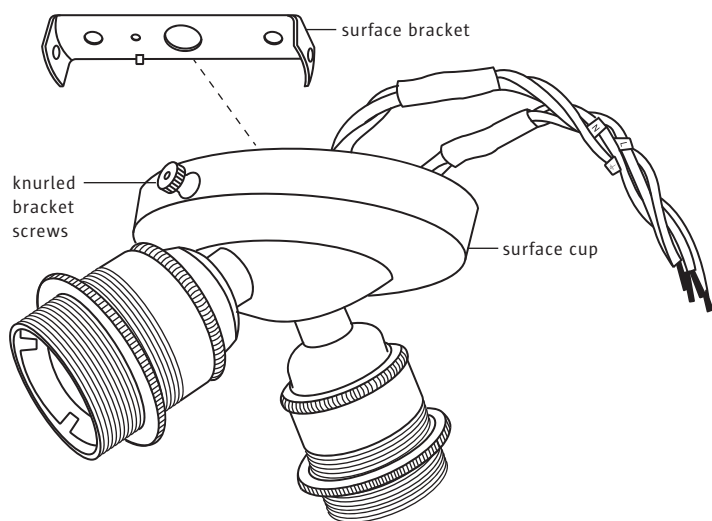


FACTORYLUX®

MARIA TWIN



antique bronze S293800

WHAT'S INCLUDED



3x
3-terminal
WAGO
connector
(L, N, \perp)



2x
plastic
plug



2x
medium
screw




2x
short
screw

YOUR PRODUCT

Thank you for purchasing this Factorylux product. It has been designed and hand built in the UK to give you many years of reliable service. Please read these user instructions carefully. All user instructions available to download at factorylux.com

WARNING

- Nominal frequency 50Hz
- This light fitting must be installed by a competent person, in accordance with current wiring and building regs. Find an NICEIC registered contractor at factorylux.com
- For indoor use only
- Shut off power to the circuit before installation
- Always use fixings appropriate for the mounting surface (screws supplied may not be suitable)
- Do not exceed wattage specified on product label (for Factorylux filament lamp exceptions - contact hello@factorylux.com)
- Bathroom installation by authorised contractor only
- Maintain safe distance from lamp holders to surfaces 
- Ensure lamps do not contact surfaces

STAY UP TO DATE

We post regular design and product information via social media and our blog. You can also contact us via instant support, twitter or email hello@factorylux.com



FACTORYLUX®

USER INSTRUCTIONS

TOOLS REQUIRED

- Drill + 6mm masonry bit
- 6mm flat head screwdriver

INSTALLATION NOTES

- Surface cup bracket is designed to be fixed to a solid, horizontal or vertical surface, using appropriate fixings
- Surface cup can house an electrical connection

INSTALLATION (MASONRY SURFACE)

WARNING: Light fitting to be insulated and earthed in accordance with current wiring regs

1. Drill 2 x 6mm holes x 30mm deep at 50.8mm centre spacings
2. Insert plastic plugs into holes
3. Use screwdriver and supplied medium screws to fix the bracket to the surface (alternatively, use supplied short screws only to fix to a timber surface)
4. Use supplied WAGO connectors to make L, N and \perp connections
 - Flip integrated orange lever up to open position
 - Insert exposed conductor to stopping point
 - Return lever to closed position
5. Attach surface cup to bracket using knurled bracket screws

HANDLING & CLEANING

WARNING: Shut off power and allow to cool

- Wipe gently with a dry, soft, cotton cloth
- Cleaning products, scratching, abrasion, damp, oils, liquids etc may have a detrimental effect

TROUBLESHOOTING

No user serviceable parts. In the event of failure, fault or damage shut off power and contact our technical department via factorylux.com

DID YOU KNOW...?

You can find out when and by whom your product was made, tested and certified to BS EN 60598 / BS 4533. Search the unique batch code (affixed to the cable) at factorylux.com. You'll even find out what was hot news in the Hebden Bridge Times the day your product was made

Designed, made & tested in the UK to BS EN 60598 / BS 4533

Revision 1602

