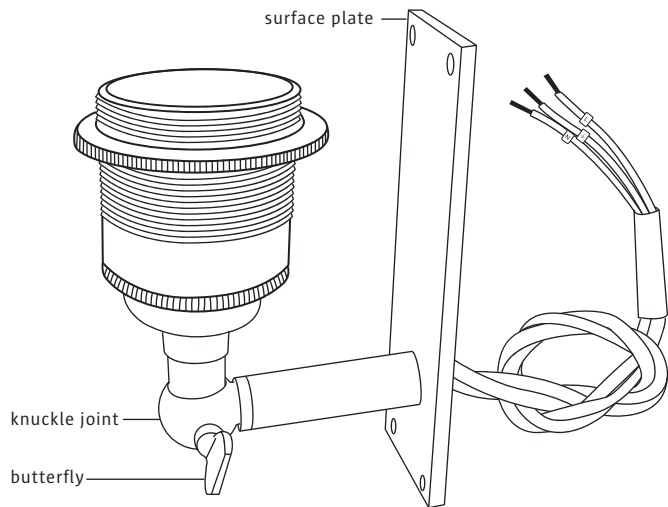


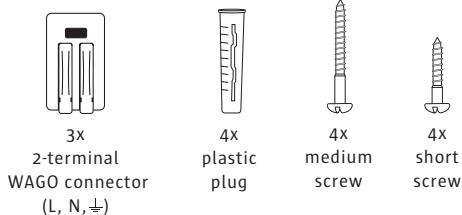
FACTORYLUX[®]

MARIA LIBRARY



antique bronze S294500

WHAT'S INCLUDED



FACTORYLUX[®]

USER INSTRUCTIONS

TOOLS REQUIRED

- Drill + 6mm masonry bit
- 6mm flat head screwdriver

INSTALLATION NOTES

- Surface plate is designed to be fixed to a solid horizontal or vertical surface, using appropriate fixings
- Surface plate is not designed to house an electrical connection
- A suitable non-combustible enclosure in a ceiling void is required to make a connection

INSTALLATION (MASONRY SURFACE)


WARNING: Light fitting to be insulated and earthed in accordance with current wiring regs

1. Place surface plate against mounting surface and mark 4 x hole centres
2. Drill 4 x 6mm holes x 30mm deep
3. Insert plastic plugs into holes
4. Use supplied WAGO connectors to make L, N and \perp connections
 - Flip integrated orange lever up to open position
 - Insert exposed conductor to stopping point
 - Return lever to closed position
5. Use screwdriver and supplied medium screws to fix light fitting to the surface (alternatively, use supplied short screws only to fix to a timber surface)

YOUR PRODUCT

Thank you for purchasing this Factorylux product. It has been designed and hand built in the UK to give you many years of reliable service. Please read these user instructions carefully. All user instructions available to download at factorylux.com

WARNING

- Nominal frequency 50Hz
- This light fitting must be installed by a competent person, in accordance with current wiring and building regs. Find an NICEIC registered contractor at factorylux.com
- For indoor use only
- Shut off power to the circuit before installation
- Always use fixings appropriate for the mounting surface (screws supplied may not be suitable)
- Do not exceed wattage specified on product label (for Factorylux filament lamp exceptions - contact hello@factorylux.com)
- Bathroom installation by authorised contractor only
- Maintain safe distance from lamp holder to surfaces 
- Ensure lamp does not contact surfaces

STAY UP TO DATE

We post regular design and product information via social media and our blog. You can also contact us via instant support, twitter or email hello@factorylux.com



ADJUSTING

WARNING: Shut off power and allow to cool

CAUTION: Failure to loosen butterfly when adjusting may cause irreversible damage

- Loosen butterfly (anti clockwise), reposition as required
- Tighten butterfly (clockwise), finger tight (do not over tighten)

HANDLING & CLEANING

WARNING: Shut off power and allow to cool

- Wipe gently with a dry, soft, cotton cloth
- Cleaning products, scratching, abrasion, damp, oils, liquids etc may have a detrimental effect

TROUBLESHOOTING

No user serviceable parts. In the event of failure, fault or damage shut off power and contact our technical department via factorylux.com

DID YOU KNOW...?

You can find out when and by whom your product was made, tested and certified to BS EN 60598 / BS 4533. Search the unique batch code (affixed to the cable) at factorylux.com. You'll even find out what was hot news in the Hebden Bridge Times the day your product was made

Designed, made & tested in the UK to BS EN 60598 / BS 4533
Revision 1603

