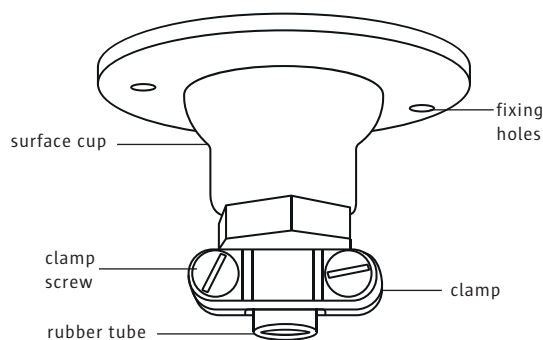


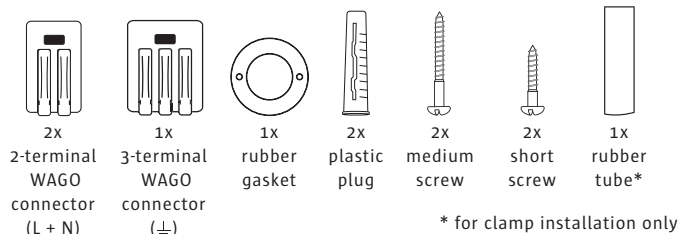
FACTORYLUX®

CABLE CLAMP & GLAND

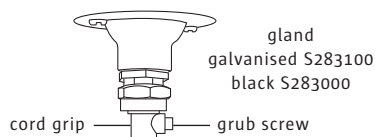


clamp | galvanised S283400 | black S283500

WHAT'S INCLUDED



VARIANT



YOUR PRODUCT

Thank you for purchasing this Factorylux product. It has been designed and finished in the UK to give you many years of reliable service. Please read these user instructions carefully. All user instructions available to download at factorylux.com

WARNING

- Installation in accordance with current wiring and building regs and by a competent person only. Find an NICEIC registered contractor at factorylux.com
- For indoor use only
- Bathroom installation by authorised contractor only
- Shut off power to the circuit before installation
- Surface cup must be earthed
- Rubber tube improves cable anchorage (clamp only)
- Ensure clamp/grub screws are secure - WAGO terminals must be relieved from strain and twisting
- Always use fixings appropriate for the mounting surface (screws supplied may not be suitable)
- Clamp / cord grip max weight load 5kg
- Always consider the total weight load when installing and suspending your light
- Ensure luminaire cord is min 0.75mm² CSA and double insulated

TROUBLESHOOTING

No user serviceable parts. In the event of failure, fault or damage shut off power and contact our technical department via factorylux.com

STAY UP TO DATE

We post regular design and product information via social media and our blog. You can also contact us via instant support, twitter or email hello@factorylux.com



FACTORYLUX®

USER INSTRUCTIONS

TOOLS REQUIRED

- Drill + 6mm masonry bit
- 6mm + 4mm flat head screwdrivers

INSTALLATION NOTES

- Surface cup is not designed to house an electrical connection. We recommend using a pattress (available from factorylux.com) It is simpler, neater and safer
- Alternatively, a suitable non-combustible enclosure in a ceiling void is required to make a connection

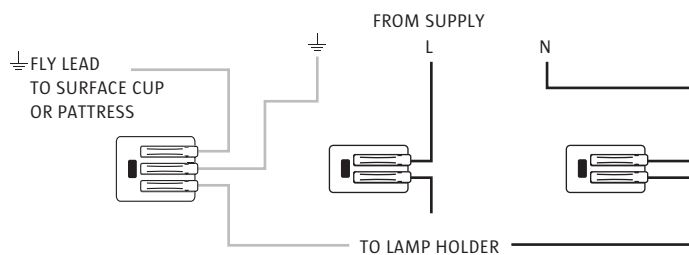
INSTALLATION (MASONRY SURFACE)

WARNING: Must be insulated and earthed in accordance with current wiring regs

1. Drill 2 x 6mm holes x 30mm deep at 50.8mm centre spacings
2. Insert plastic plugs into holes
3. Slide rubber tube over cable end (clamp only)
4. Feed cable through clamp/gland and secure clamp/grub screw with 4mm screwdriver
5. Locate rubber gasket between surface cup and surface
6. Use supplied WAGO connectors to make L, N and PE connections (as per 'wiring diagram')
 - Flip integrated orange lever up to open position
 - Insert exposed conductor to stopping point
 - Return lever to closed position
7. Use 6mm screwdriver and supplied medium screws to fix surface cup to surface (alternatively, use supplied short screws only to fix to a timber surface)

WIRING DIAGRAM

WARNING: Ensure no loose copper strands



HANDLING & CLEANING

WARNING: Shut off power and allow to cool

- Wipe gently with a dry, soft, cotton cloth
- Cleaning products, scratching, abrasion, damp, oils, liquids etc may have a detrimental effect

Mostly made in India. Finished in the UK

Revision 1602