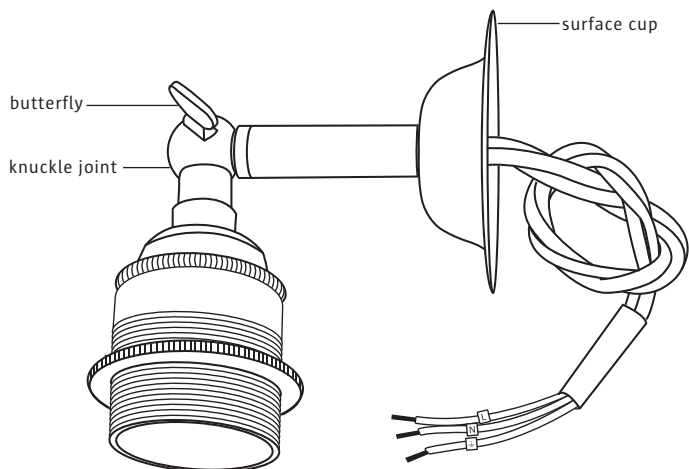


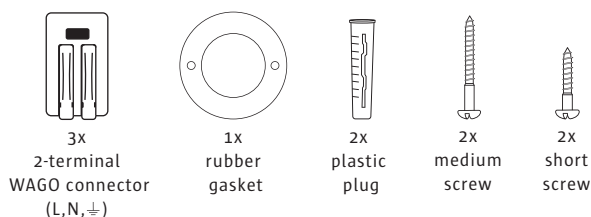
# FACTORYLUX<sup>®</sup>

## MARIA WALL LIGHT



retro silver S291100 | vintage brass S291200 | antique bronze S291300

### WHAT'S INCLUDED



# FACTORYLUX<sup>®</sup>

## USER INSTRUCTIONS

### TOOLS REQUIRED

- Drill + 6mm masonry bit
- 6mm flat head screwdriver

### INSTALLATION NOTES

- Surface cup is designed to be fixed to a solid horizontal or vertical surface, using appropriate fixings
- Surface cup is not designed to house an electrical connection
- We recommend using a pattress (surface mounted enclosure) to house the electrical connection. It is simpler, neater and safer
- Separate installation instructions are supplied with the pattress (available from [factorylux.com](http://factorylux.com))
- Alternatively, a suitable non-combustible enclosure in a ceiling void is required to make a connection

### INSTALLATION (MASONRY SURFACE)

**WARNING:** Light fitting to be insulated and earthed in accordance with current wiring regs

1. Drill 2 x 6mm holes x 30mm deep at 50.8mm centre spacings
2. Insert plastic plugs into holes
3. Locate rubber gasket between surface cup and surface
4. Use supplied WAGO connectors to make L, N and  $\perp$  connections
  - Flip integrated orange lever up to open position
  - Insert exposed conductor to stopping point
  - Return lever to closed position
5. Use screwdriver and supplied medium screws to fix light fitting to the surface (alternatively, use supplied short screws only to fix to a timber surface)

### YOUR PRODUCT

Thank you for purchasing this Factorylux product. It has been designed and hand built in the UK to give you many years of reliable service. Please read these user instructions carefully. All user instructions available to download at [factorylux.com](http://factorylux.com)

### WARNING

- Nominal frequency 50Hz
- This light fitting must be installed by a competent person, in accordance with current wiring and building regs. Find an NICEIC registered contractor at [factorylux.com](http://factorylux.com)
- For indoor use only
- Shut off power to the circuit before installation
- Always use fixings appropriate for the mounting surface (screws supplied may not be suitable)
- Do not exceed wattage specified on product label (for Factorylux filament lamp exceptions - contact [hello@factorylux.com](mailto:hello@factorylux.com))
- Bathroom installation by authorised contractor only
- Maintain safe distance from lamp holder to surfaces
- Ensure lamp does not contact surfaces



### STAY UP TO DATE

We post regular design and product information via social media and our blog. You can also contact us via instant support, twitter or email [hello@factorylux.com](mailto:hello@factorylux.com)



### ADJUSTING

**WARNING:** Shut off power and allow to cool

**CAUTION:** Failure to loosen butterfly when adjusting may cause irreversible damage

- Loosen butterfly (anti clockwise), reposition as required
- Tighten butterfly (clockwise), finger tight (do not over tighten)

### HANDLING & CLEANING

**WARNING:** Shut off power and allow to cool

- Wipe gently with a dry, soft, cotton cloth
- Cleaning products, scratching, abrasion, damp, oils, liquids etc may have a detrimental effect

### TROUBLESHOOTING

No user serviceable parts. In the event of failure, fault or damage shut off power and contact our technical department via [factorylux.com](http://factorylux.com)

### DID YOU KNOW...?

You can find out when and by whom your product was made, tested and certified to BS EN 60598 / BS 4533. Search the unique batch code (affixed to the cable) at [factorylux.com](http://factorylux.com). You'll even find out what was hot news in the Hebden Bridge Times the day your product was made

Designed, made & tested in the UK to BS EN 60598 / BS 4533  
Revision 1602 